

SorinoMold

Professional Supplier for PET Blowing Mould and Parts

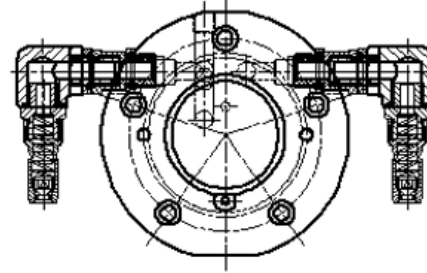
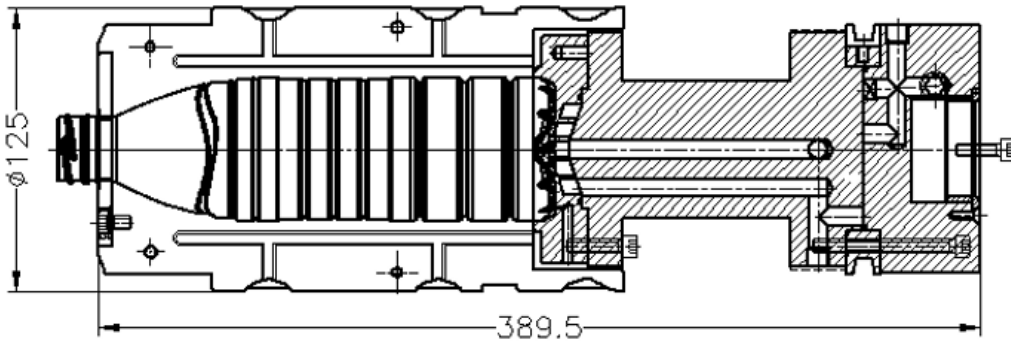
www.Sorinopack.com

021-44943704

Professional designer & manufacturer for precision PET blowing mould and parts

Blowing mold for Krones blower

600ml water bottle mold , Compact structure, 125mm outside diameter, quick change mold.



Quick change Blowing mold for Krones blower

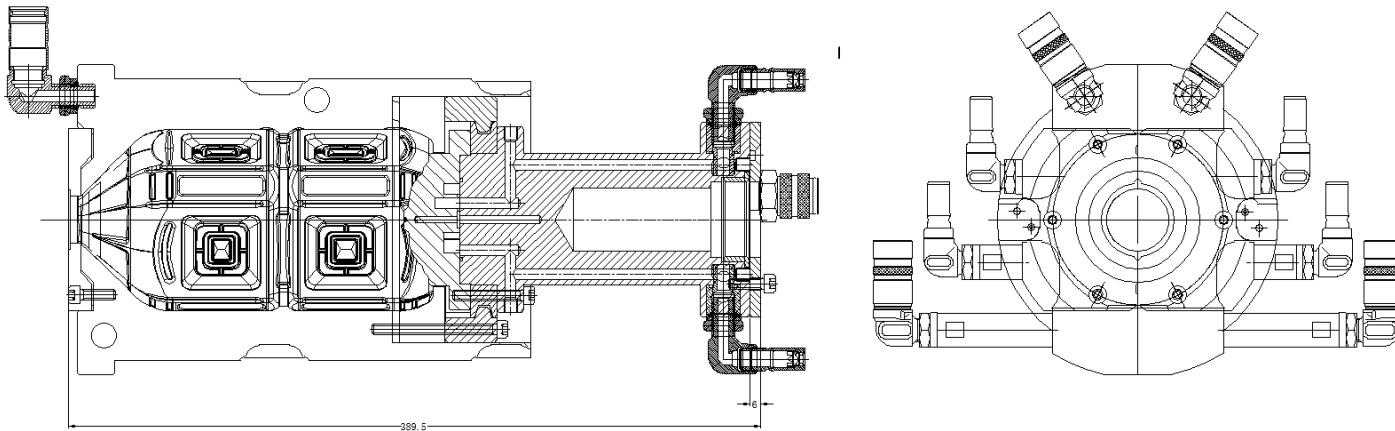


The mold shell for Krones blower



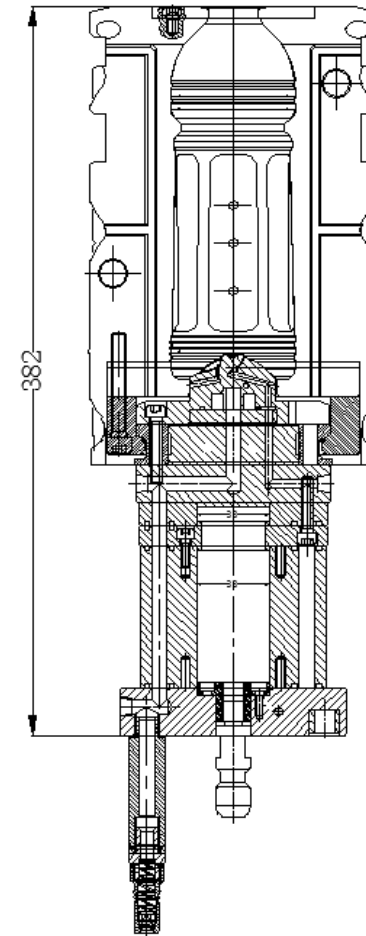
The blowing mold is settled on the mold shell

1000ml hot filled bottle mold .160mm outside diameter, made by stainless steel

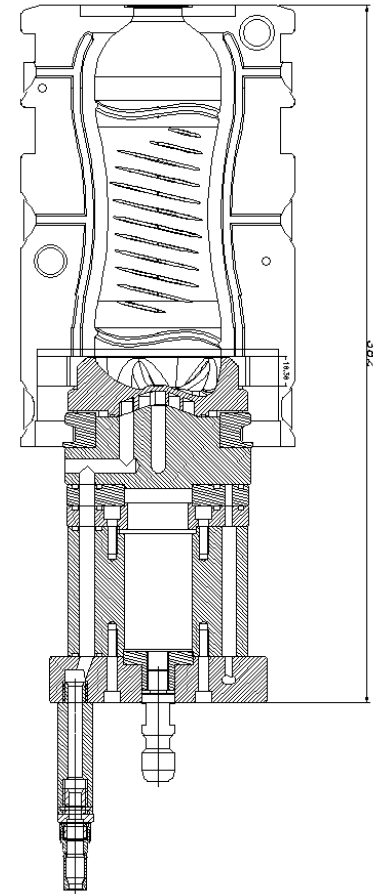


Blowing mold for Sidel blower

500ml hot filled bottle mold for Sidel blower.150mm outside diameter, made by stainless steel

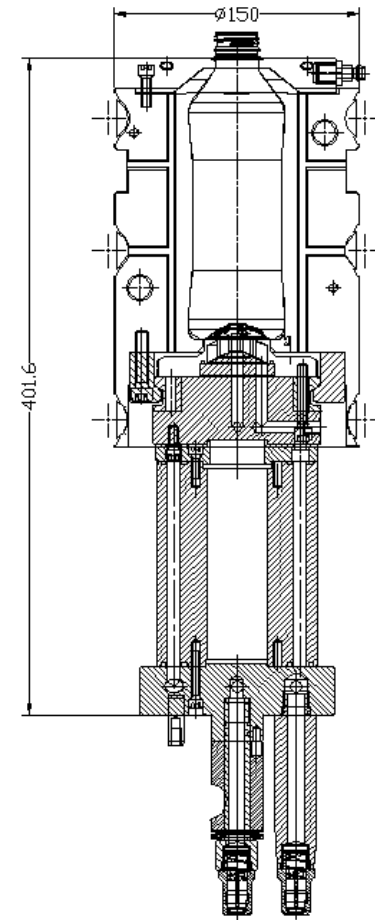


560ml CSD bottle mold for Sidel blower. 150mm
outside diameter, made by Alcoa A6061



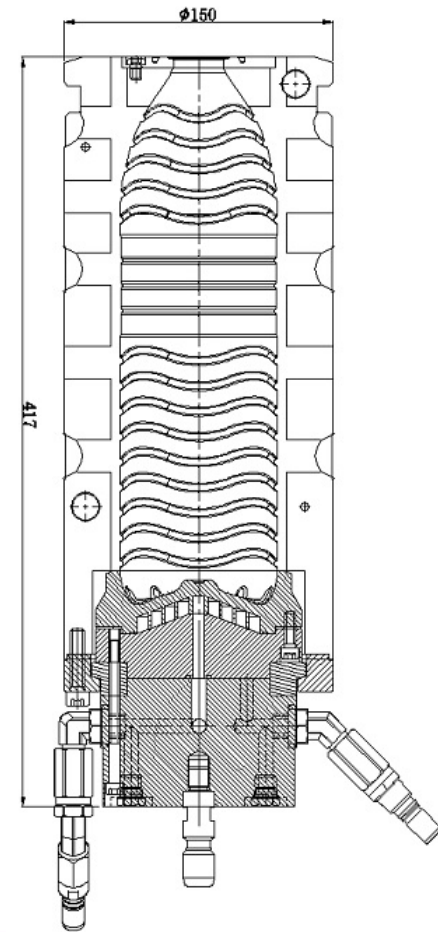
Blowing mold for KHS blower

500ml aseptic bottle mold for KHS blower.
150mm outside diameter, made by Alcoa A6061



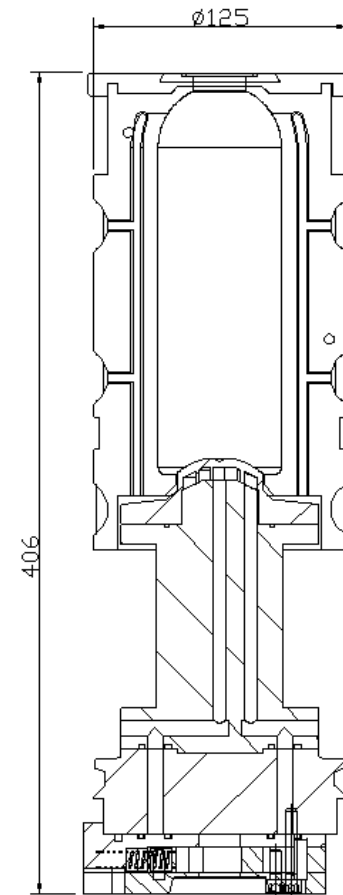
Blowing mold for Sacmi blower

1500ml water bottle mold for Sacmi blower.
150mm outside diameter, made by Alcoa A6061



Blowing mold for Sipa blower

480ml fruit drinks bottle mold for Sipa blower.
125mm outside diameter, made by Alcoa A6061



Accessories for blow molds



Accessories for blowers



Spindle nose and ejector , gripper etc.

Sorinopack.com



Quick change one way couplings, hydraulic or air hose

Professional designer & manufacturer for precision PET blowing mould and parts



Stretch rod and clamping shaft

Sorinopack.com

Accessories for filling machines



Professional designer & manufacturer for precision PET blowing mould and parts

Precise mechanic parts (blower and filler and labeler and shrink labelling machine)



Shock Absorber



Quick Coupling



Gripper



Spindle head



Locking pin



Stopper



Choke of copper

Sorinopack.com

The end Thanks!

We can do more than you see.

Our philosophy is: Good products and continuous improvement.

Because we believe that technology is endless.

021-44943704

Professional designer & manufacturer for precision PET blowing mould and parts